

# LUCAS

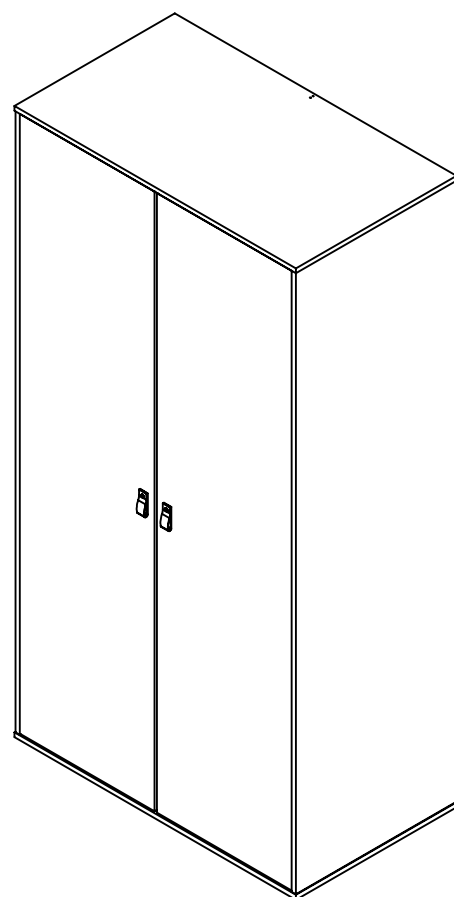
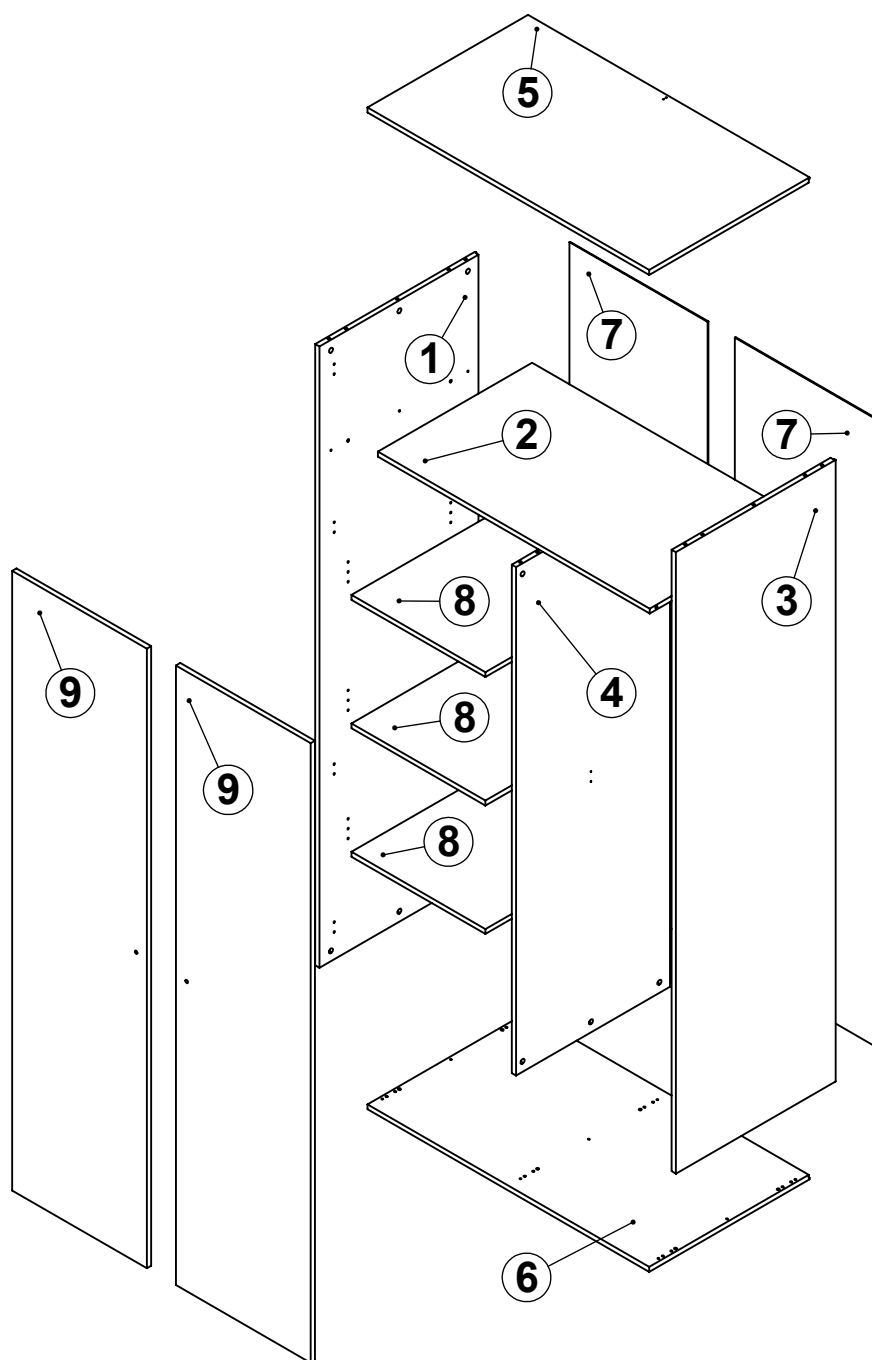
001 / 10/08/2023


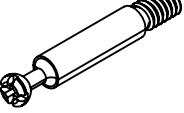
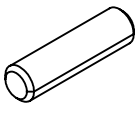
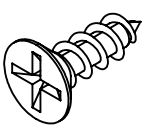
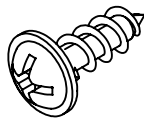

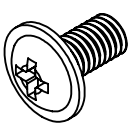
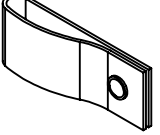
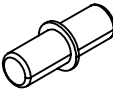
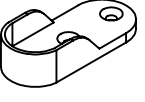
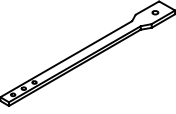

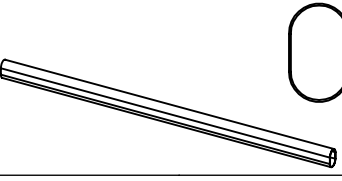
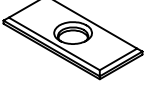
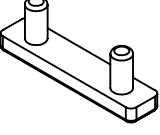

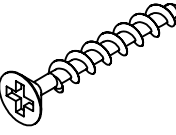
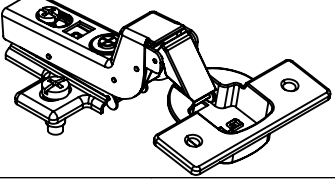
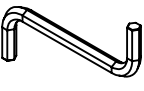
## WARDROBE 2D

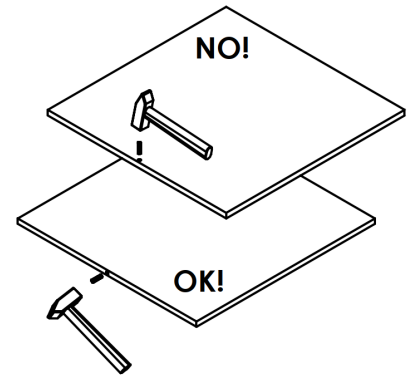
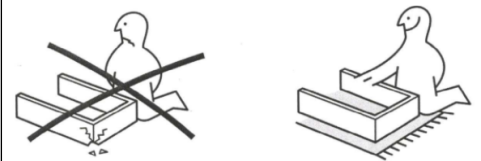
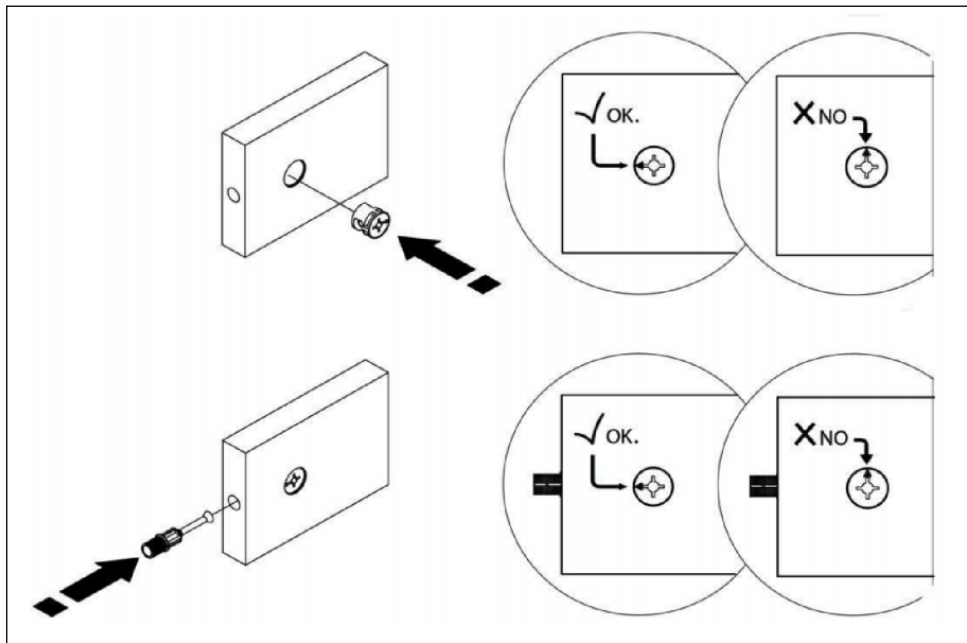
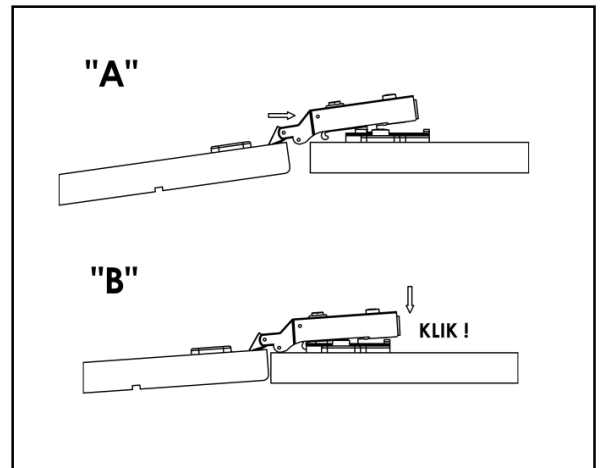
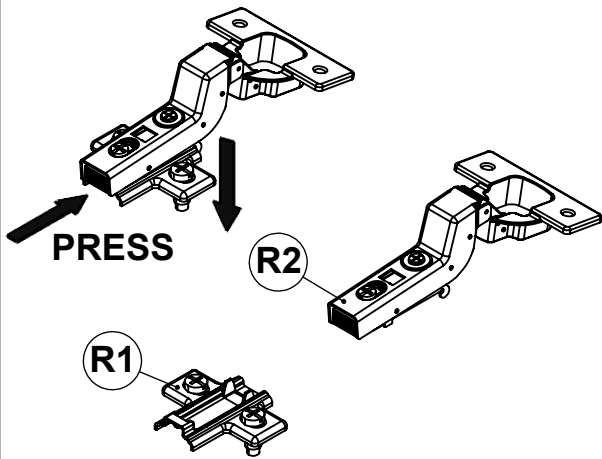
### ART CODE: 232 23 203 / 232 23 219

# bopita®

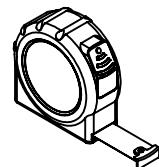
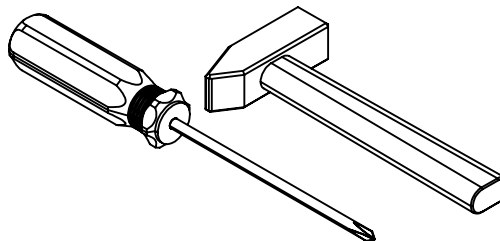
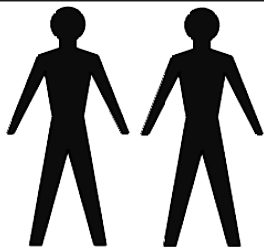
"BOPITA"  
LION INTERNATIONAL B.V.  
ENERGIEWEG 1  
6662 NS ELST GLD  
NEDERLAND  
[www.bopita.com](http://www.bopita.com)




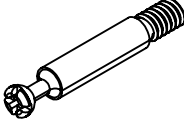
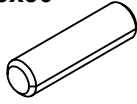
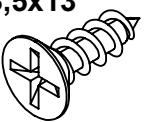
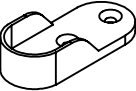
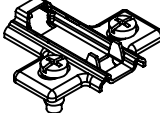
		8x30 	3,5x13 			4x12 	
<b>A x 24</b>	<b>B x 24</b>	<b>C x 16</b>	<b>D x 24</b>	<b>E x 2</b>	<b>F x 60</b>	<b>G x 2</b>	<b>H x 2</b>
							
<b>I x 12</b>	<b>J x 4</b>	<b>K x 1</b>	<b>L x 1</b>	<b>M x 2</b>		<b>N x 10</b>	
		5x45 					
<b>O x 6</b>	<b>P x 1</b>	<b>Q x 1</b>	<b>R1/R2 x 8/8</b>		<b>IMBUS</b>		

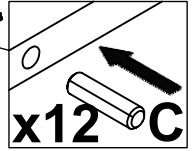
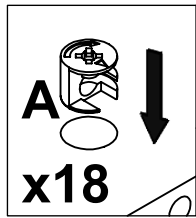
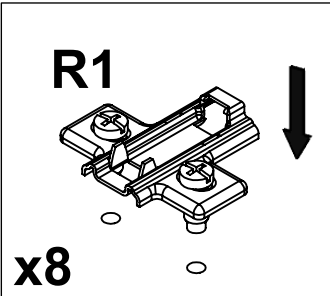
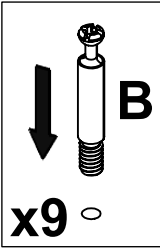
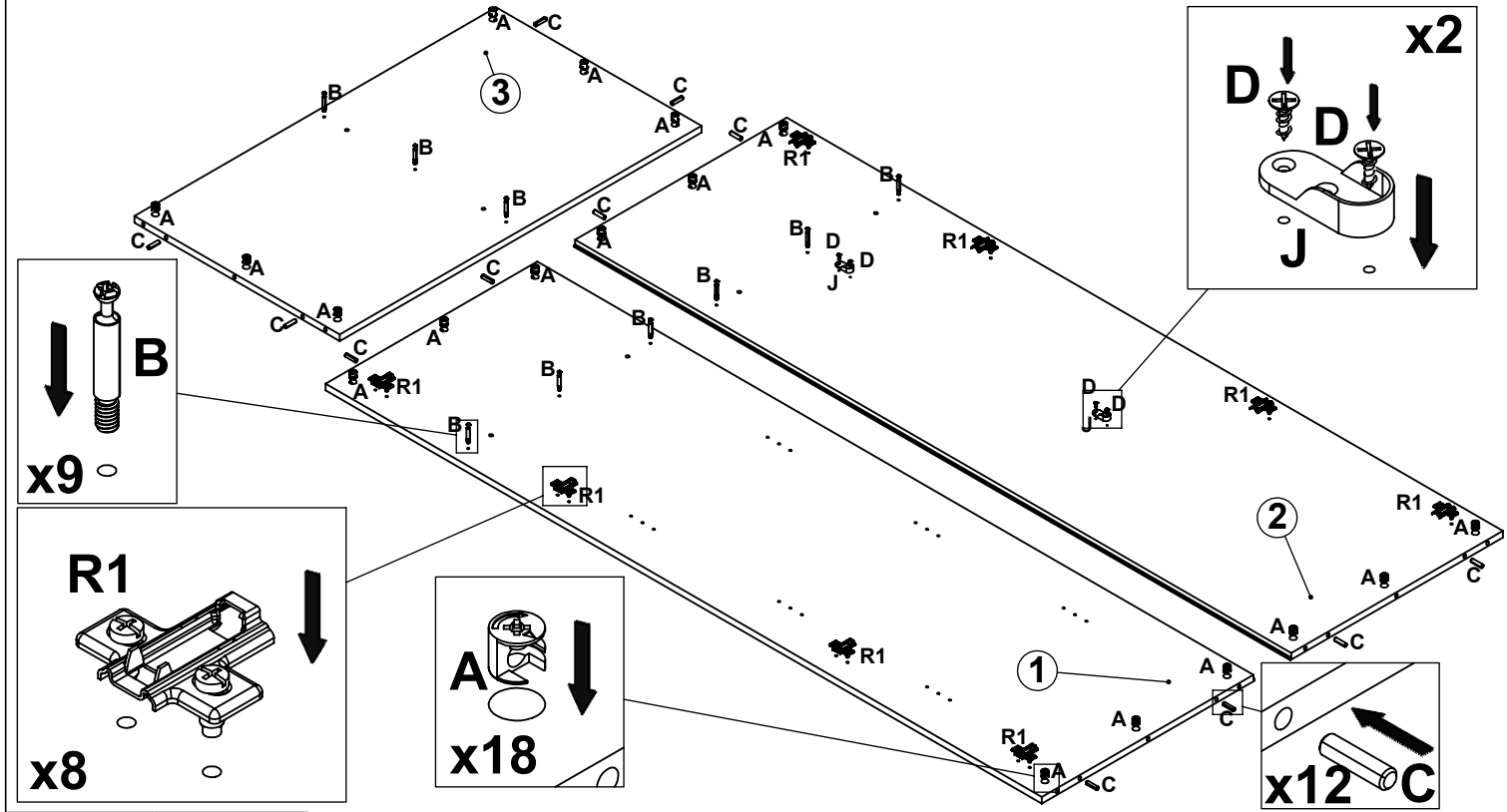
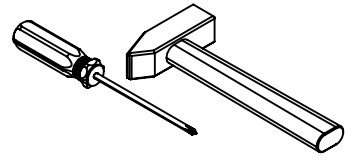


90 min.

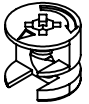
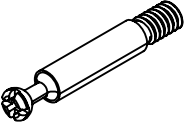
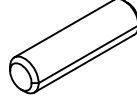
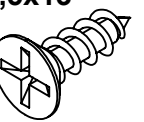
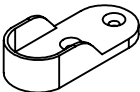


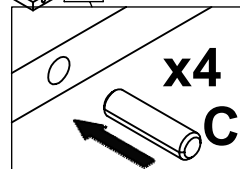
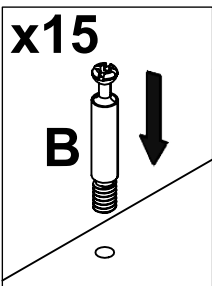
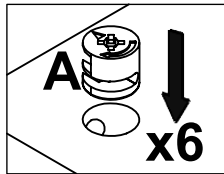
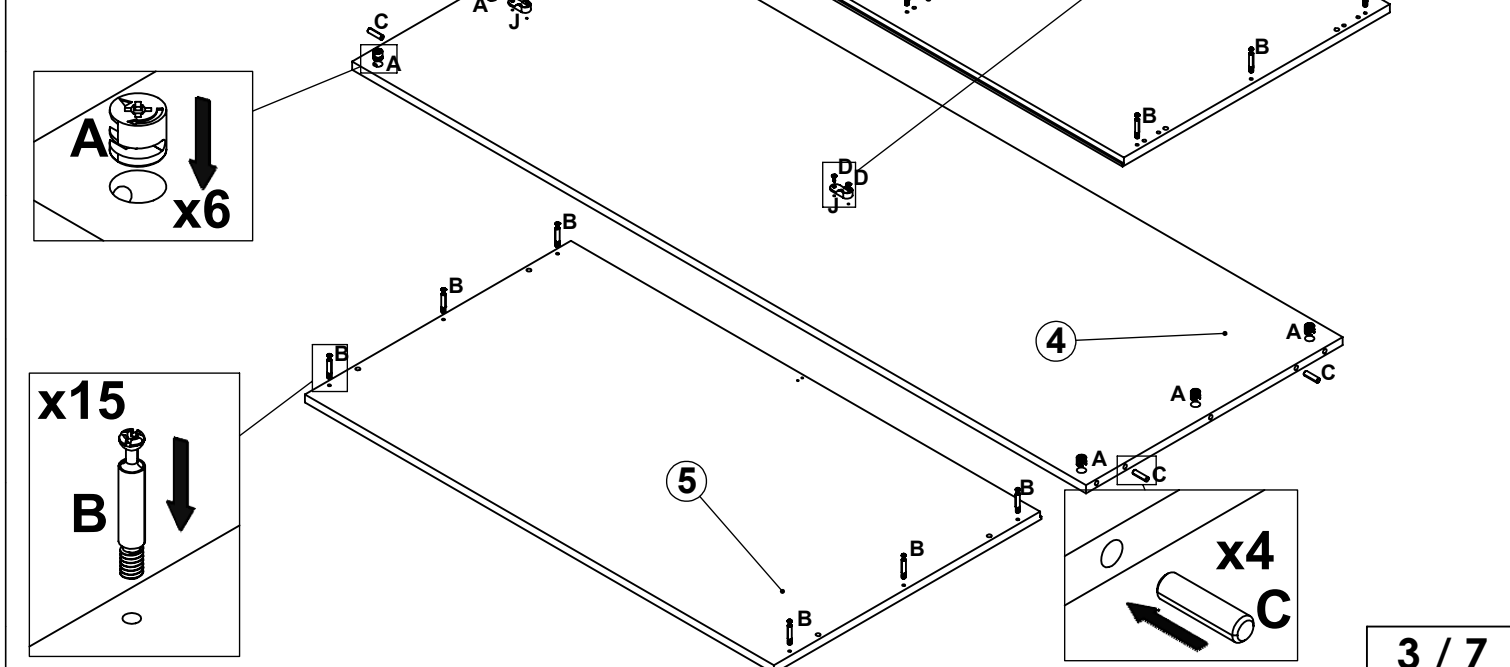
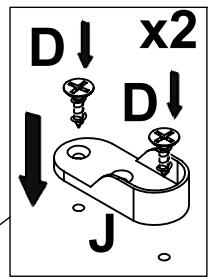
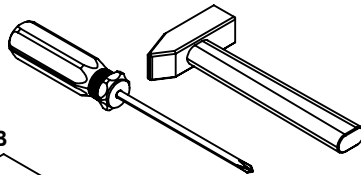
**STEP - 1**

					
<b>Ax18</b>	<b>Bx9</b>	<b>Cx12</b>	<b>D x 4</b>	<b>J x 2</b>	<b>R1 x 8</b>

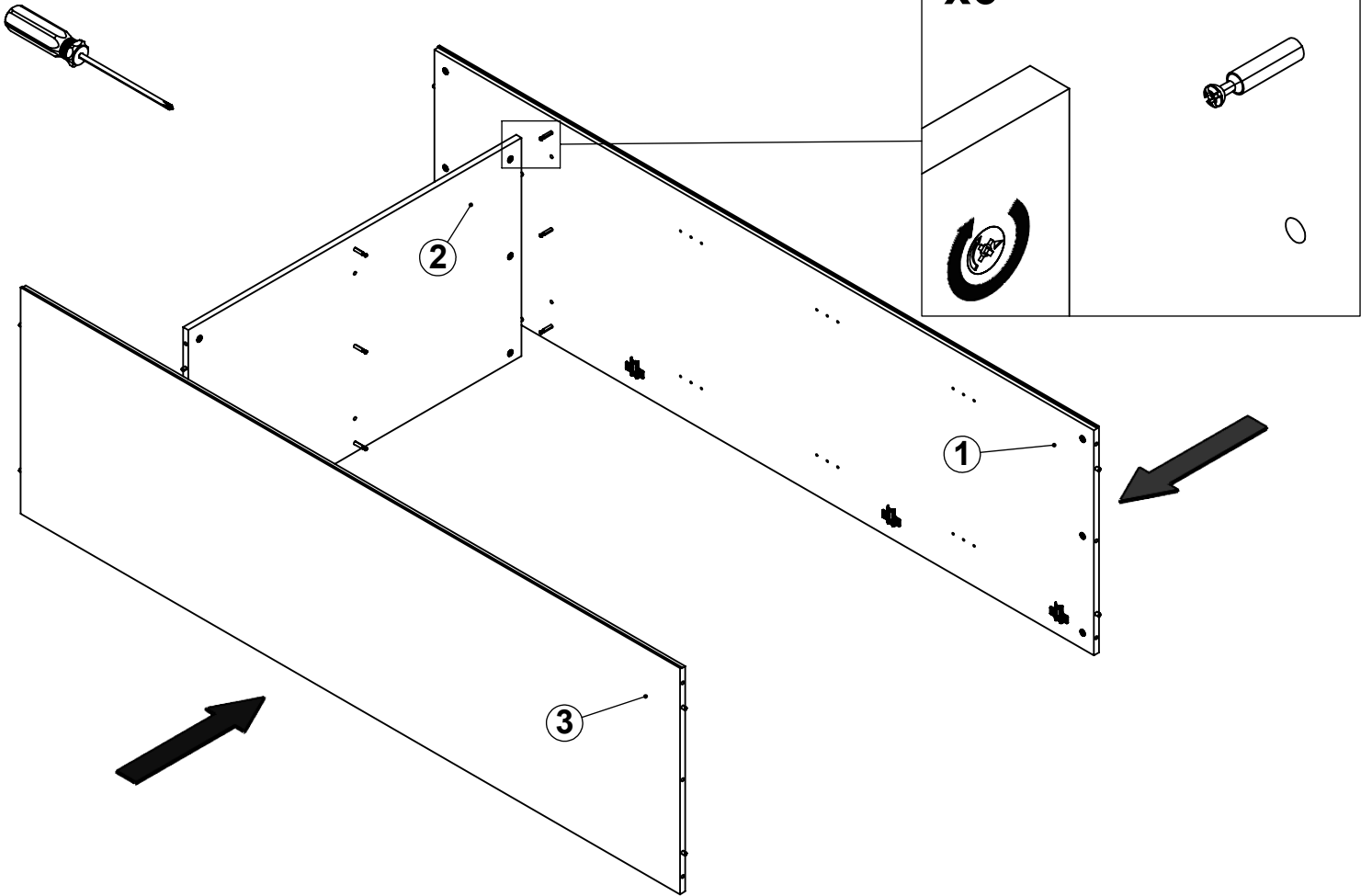


**STEP - 2**

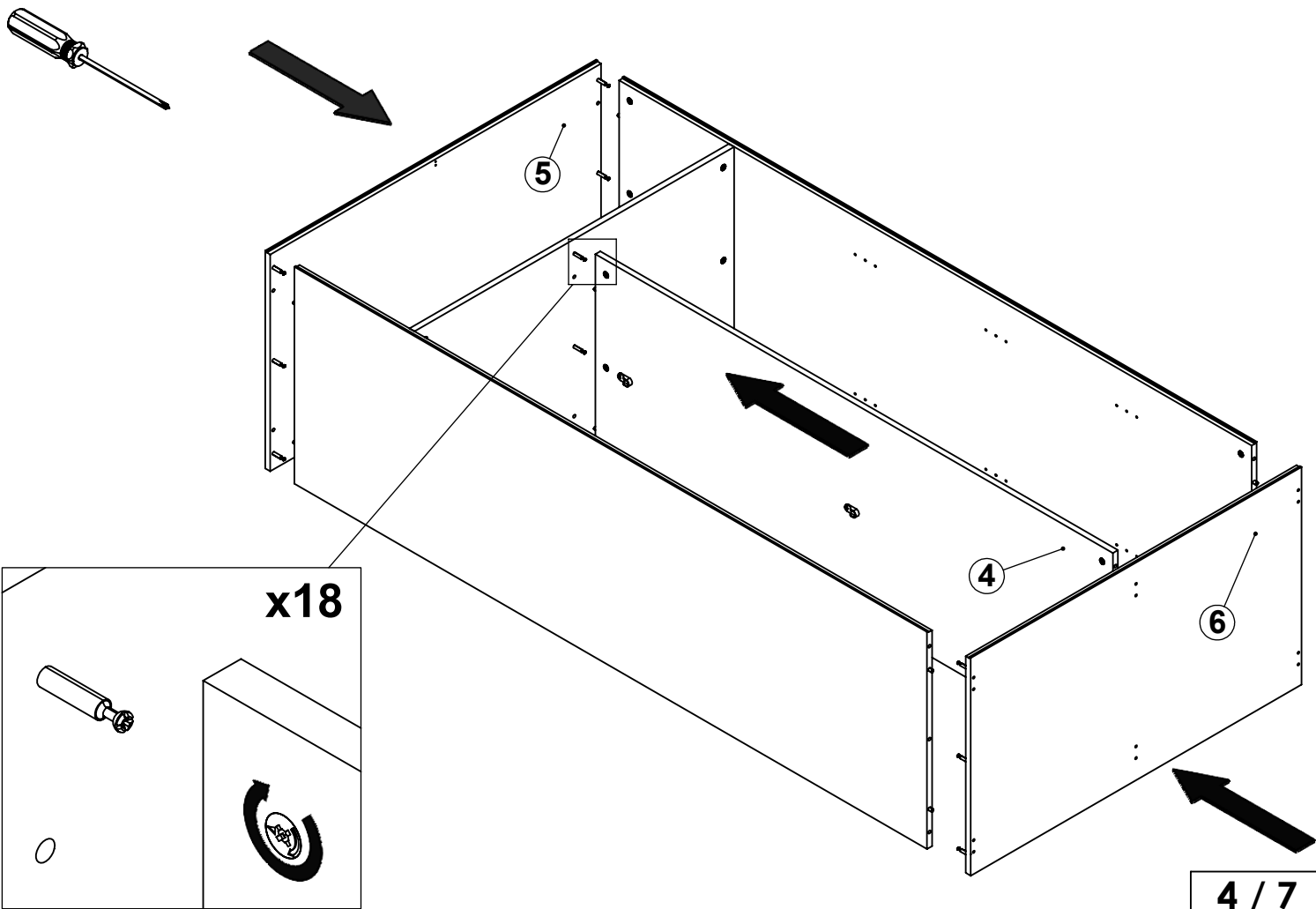
			
<b>Ax6</b>	<b>Bx15</b>	<b>Cx4</b>	<b>Dx4</b>
			
<b>Jx2</b>			



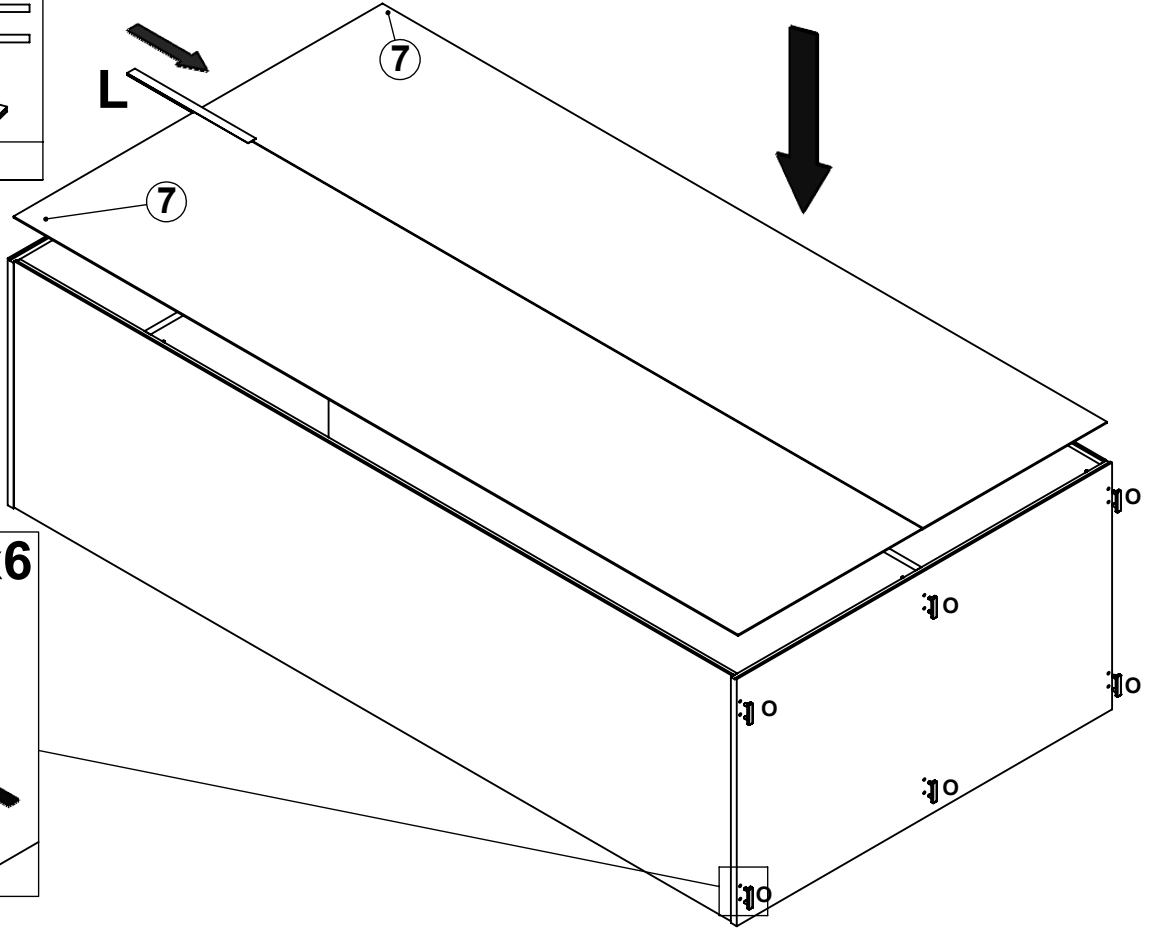
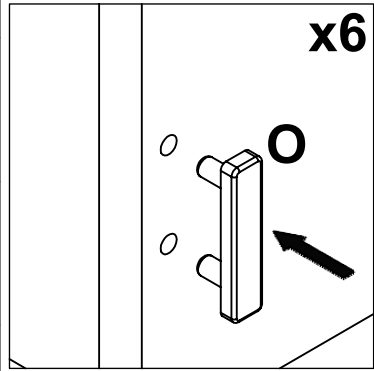
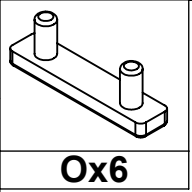
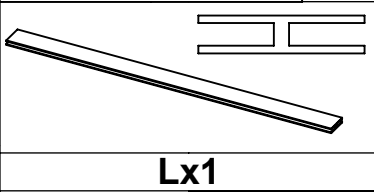
**STEP - 3**



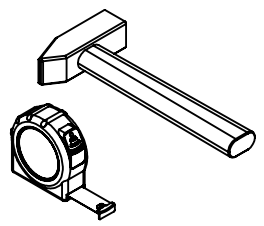
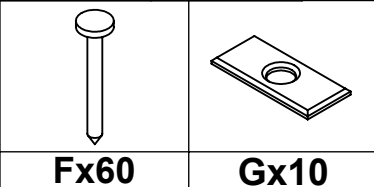
**STEP - 4**



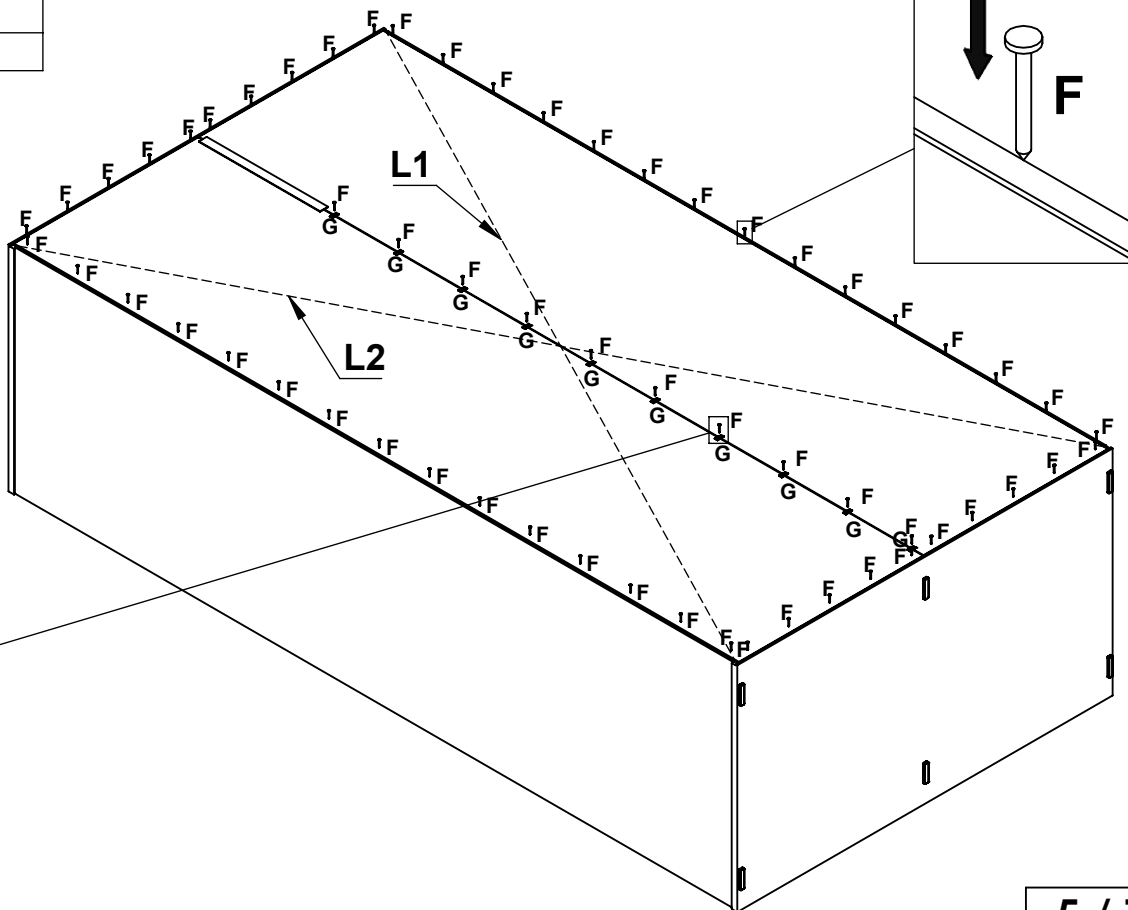
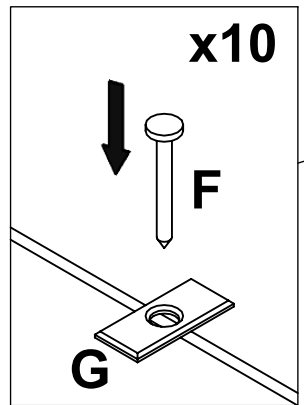
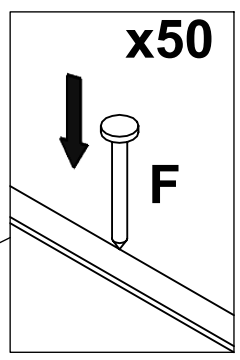
### STEP - 5



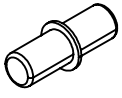
### STEP - 6



L1=L2



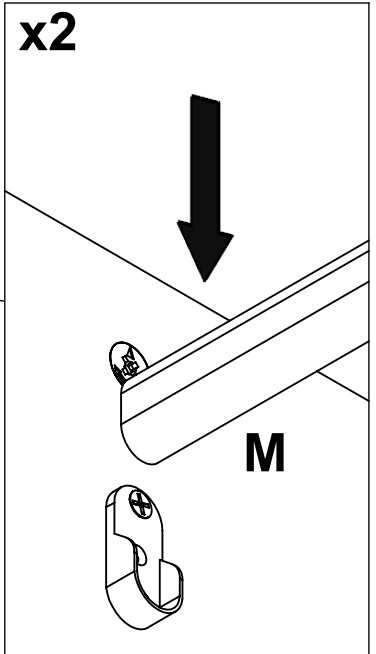
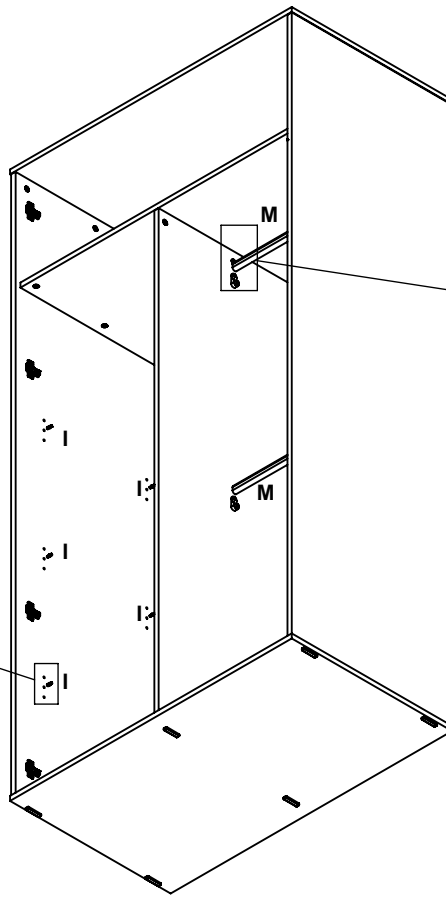
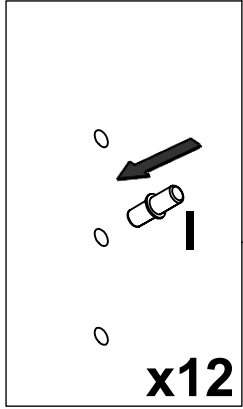
### STEP - 7



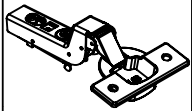
I x 12



M x 2

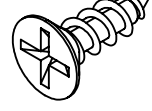


### STEP - 8

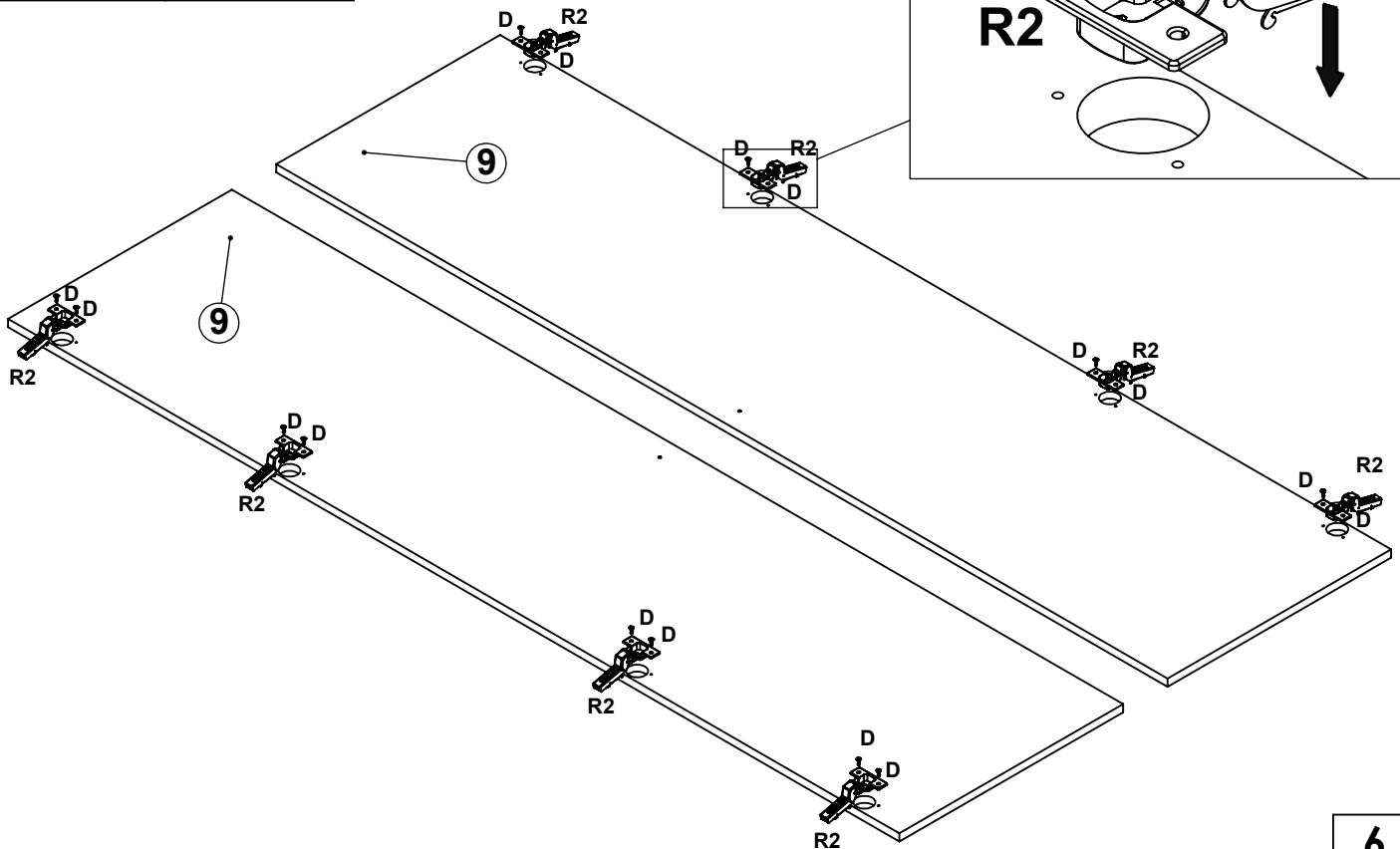
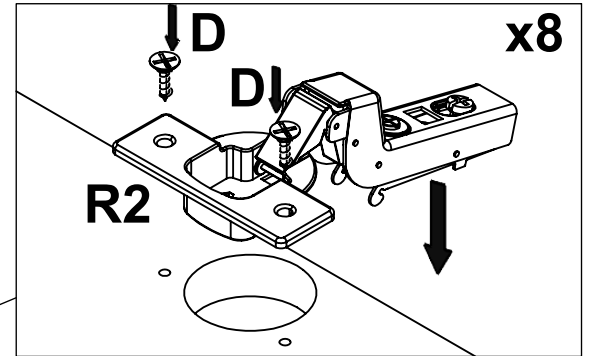
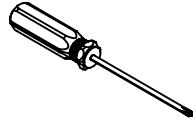


R2 x 8

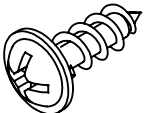
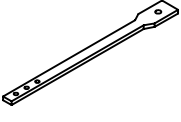
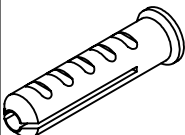
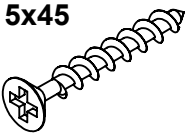
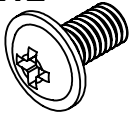
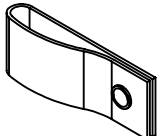

3,5x13

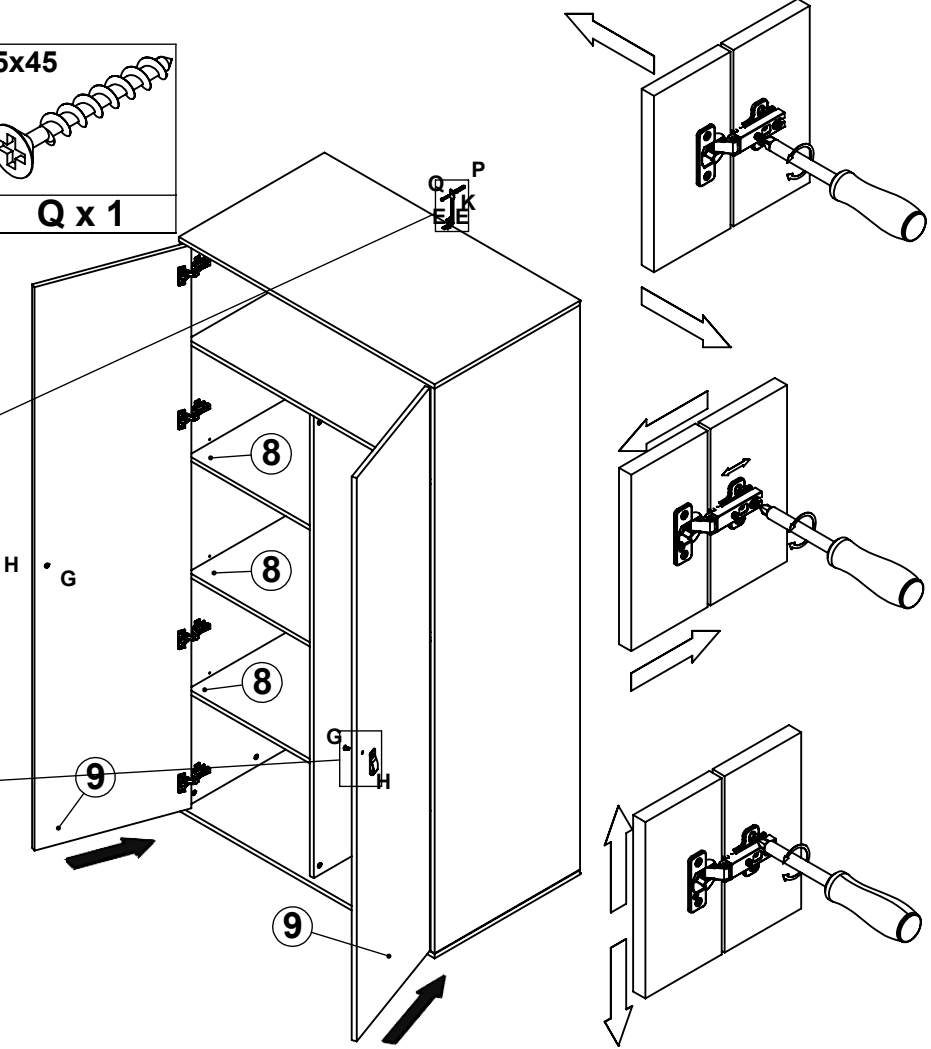
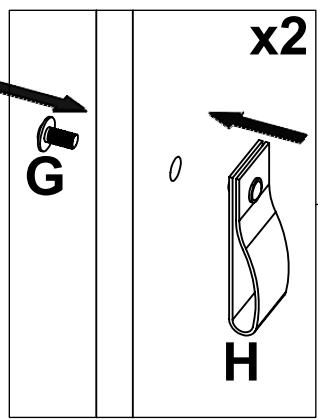
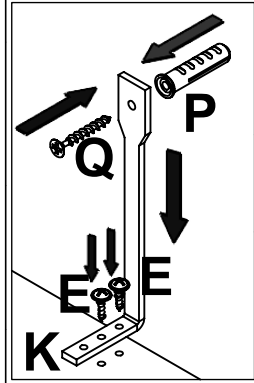


D x 16



# STEP - 9

			
<b>E x 2</b>	<b>K x 1</b>	<b>P x 1</b>	<b>Q x 1</b>
			
<b>G x 2</b>	<b>H x 2</b>		



## QC-CODE

- (UK) for service requests
- (NL) voor service vragen
- (FR) pour les demandes de service
- (DE) für Service Anfragen
- (ES) para consultas de servicio
- (IT) per richieste di assistenza

